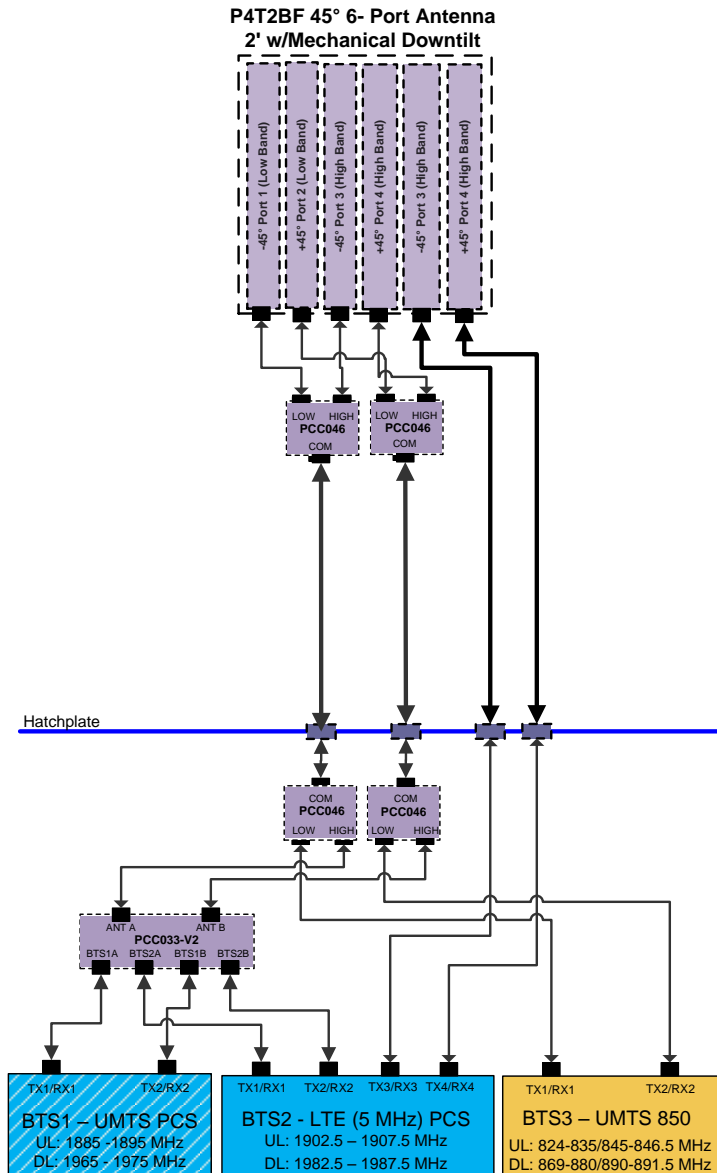




Feeder Sharing Solution for P4T2BF-V1, PCC033-V2 & PCC046 850 MHz & PCS Bands



- Consolidates 8 Radio feedlines down to 4 per sector
- Supports dual band 850 & 1900 MHz capability
- P4T2BF-V1 2' 45° 6P Dual Band Panel Antenna
 - X4 ports highband 1710-2400 MHz feeds
 - X2 ports lowband 698-894 MHz feeds
 - Mechanical downtilt using adjustable brackets
- PCC046 Lowband/Highband Crossband Combiner
 - Low channel 790-970 MHz
 - High Channel 1710-2170 MHz
 - Low loss (< 0.3 dB) and high isolation (> 50 dB)
 - Used at bottom and top of tower to combine then re-split high/low bands
- PCC033-V2 PCS Twin A-F + C4b/C5a Same Band Combiner
 - 10 MHz LTE carrier in E & F blocks
 - 5 MHz LTE carrier in PCS C4b/C5a sub-blocks
 - 7.5 MHz minimum spacing

EMEA
Filtronic Wireless Ltd.
3 Airport West
Lancaster Way
Yeadon
United Kingdom
+44 1740625163

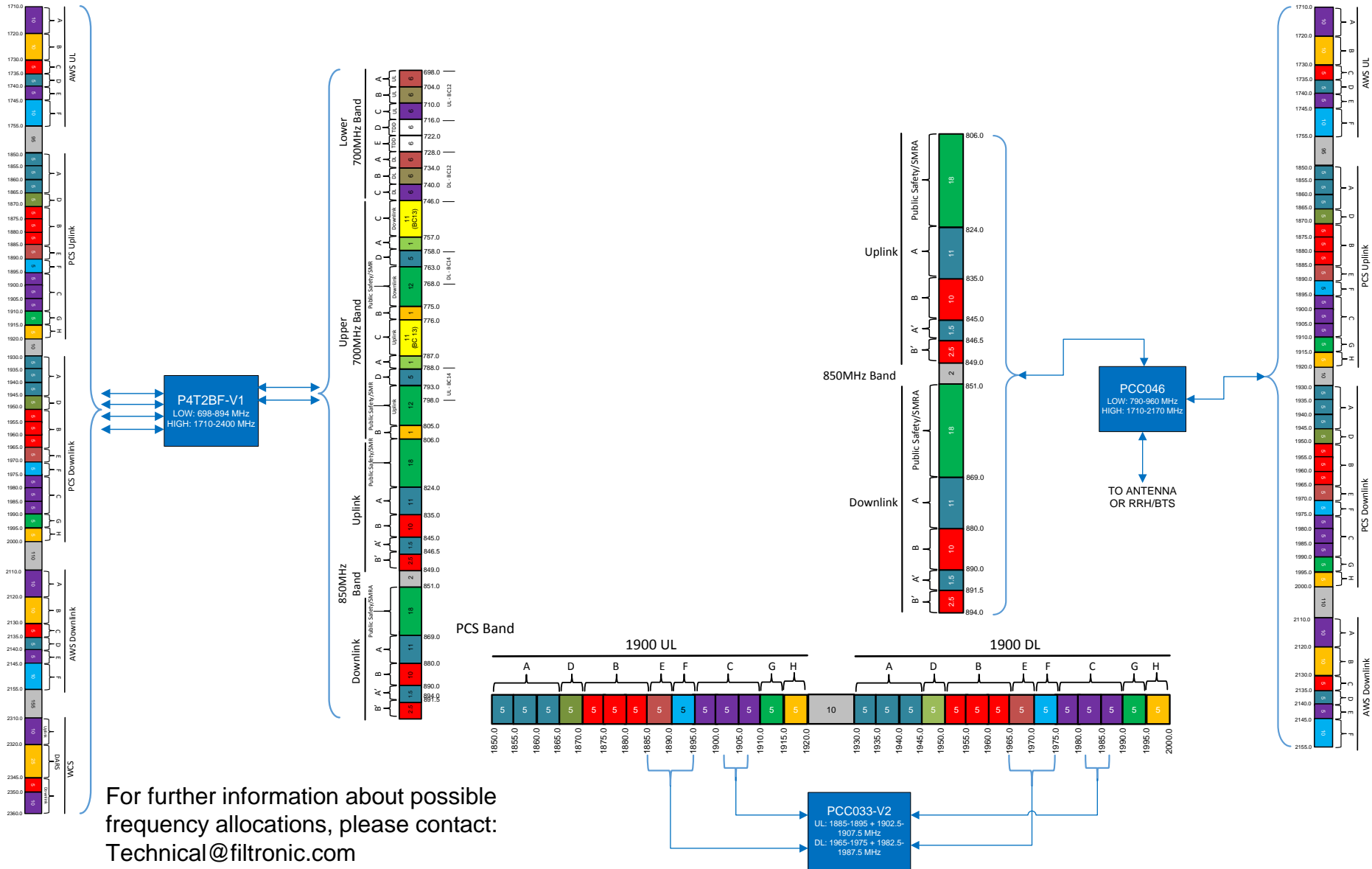
Americas
Filtronic Wireless Inc.
700 Marvel Rd
Salisbury
MD 21801
United States of America
+41 410 202 8811



www.filtronic.com
sales@filtronic.com



Feeder Sharing Solution for P4T2BF-V1, PCC033-V2 & PCC046 850 MHz & PCS Bands



For further information about possible frequency allocations, please contact: Technical@filtronic.com